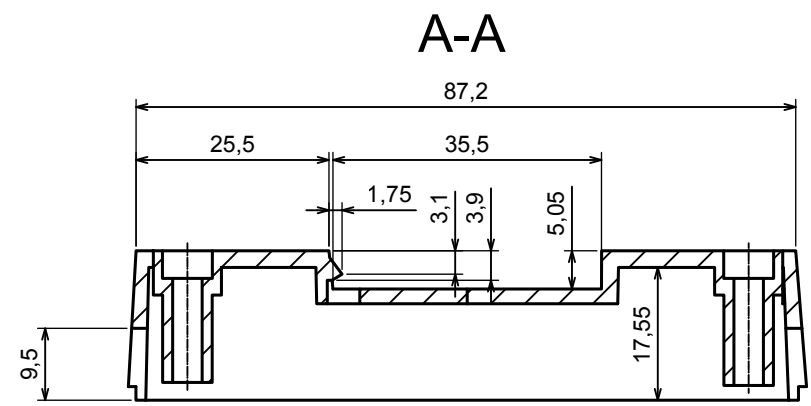
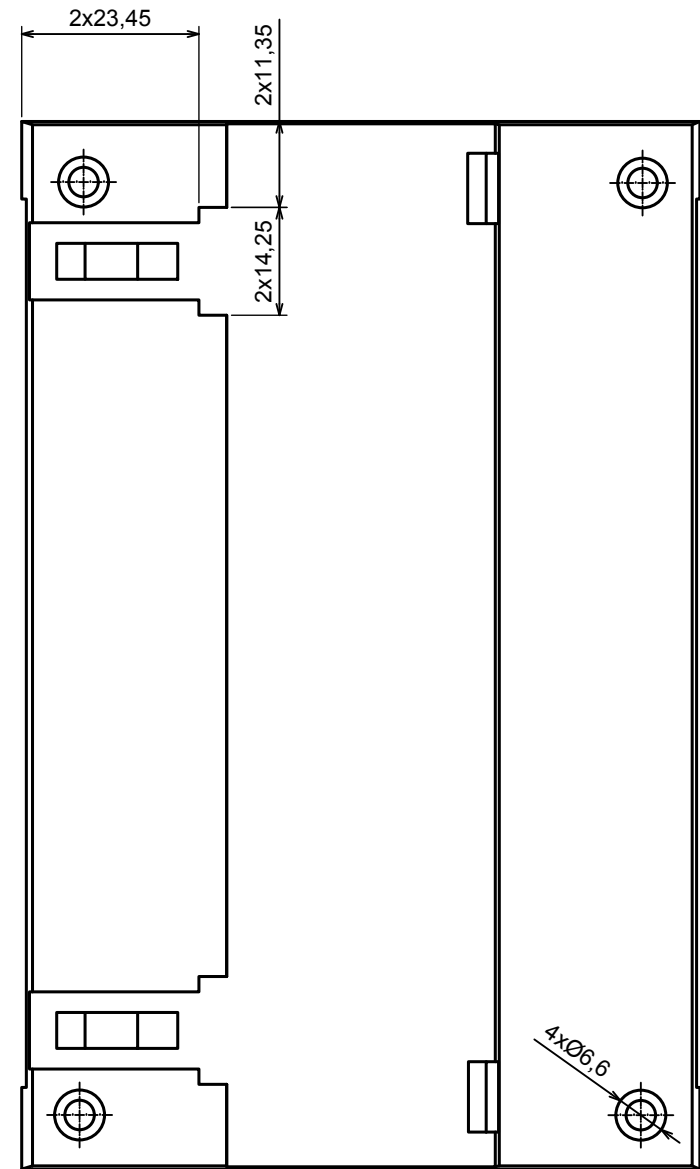
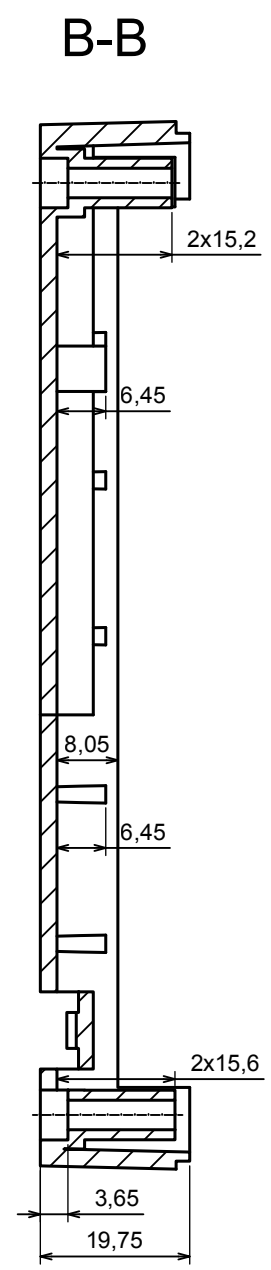
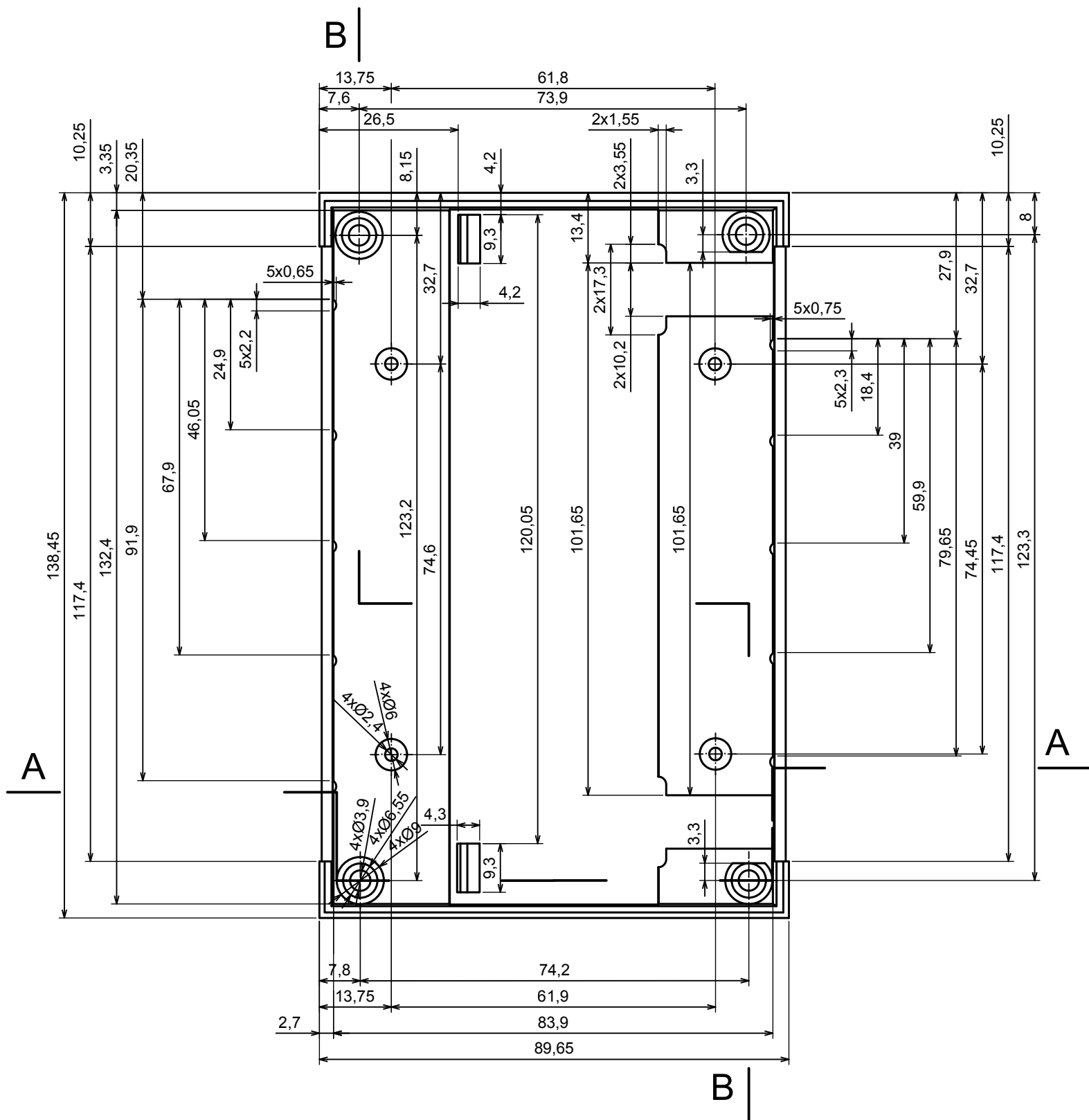
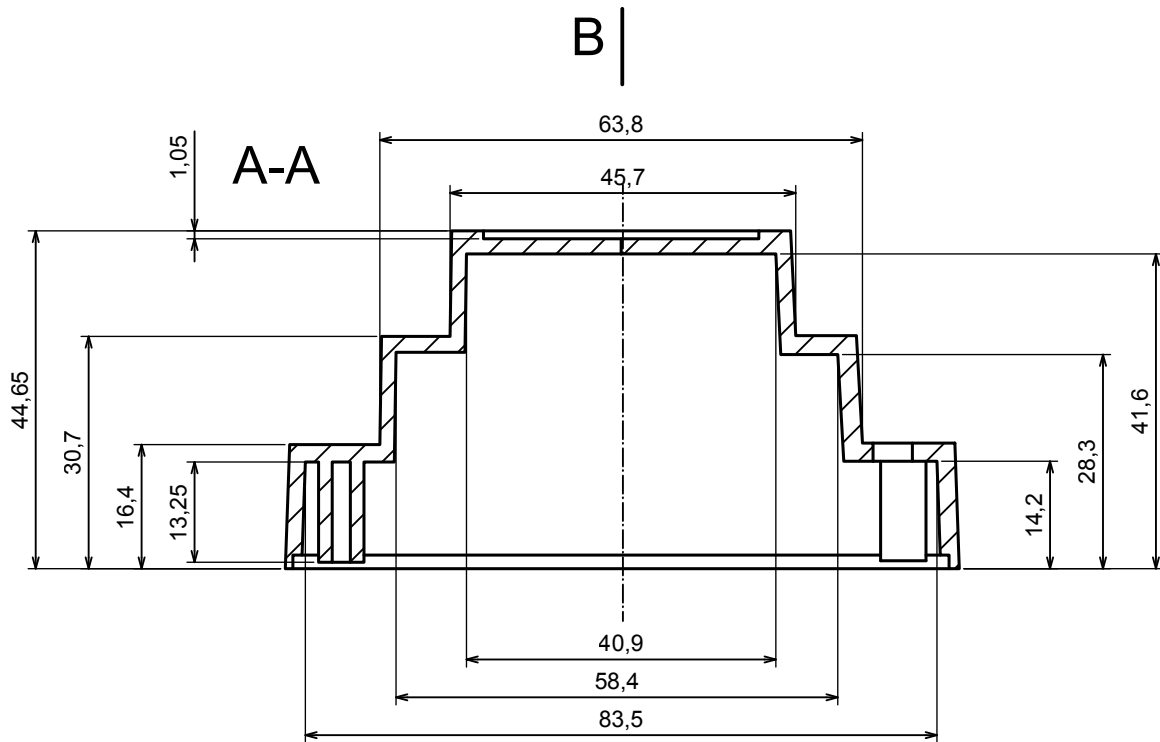
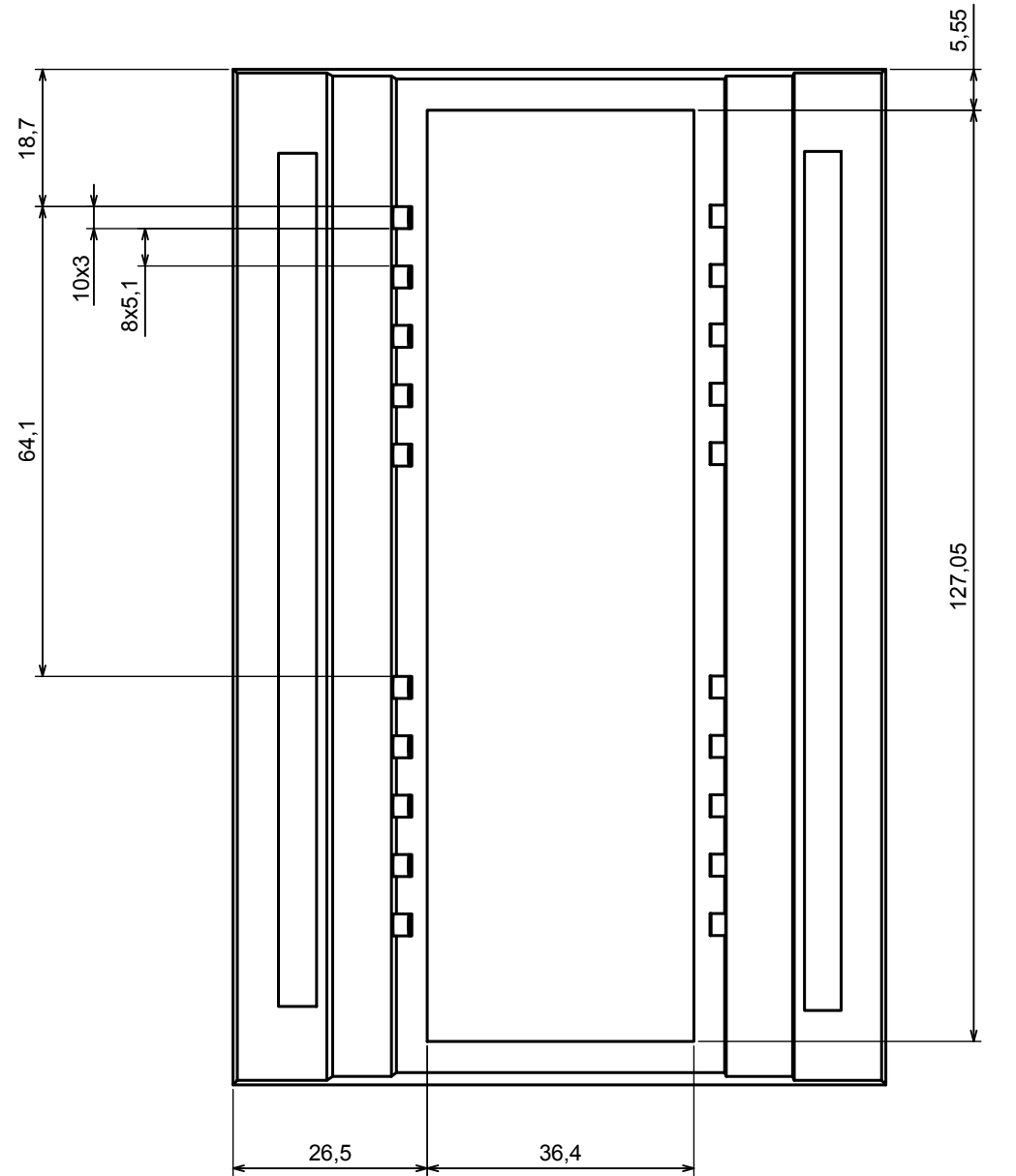
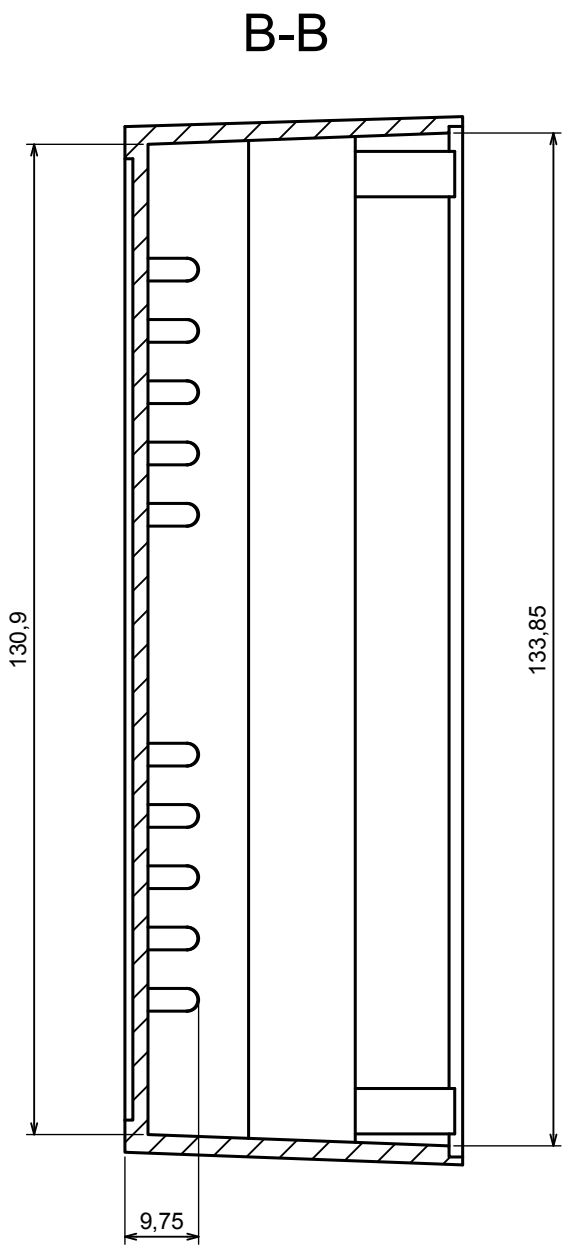
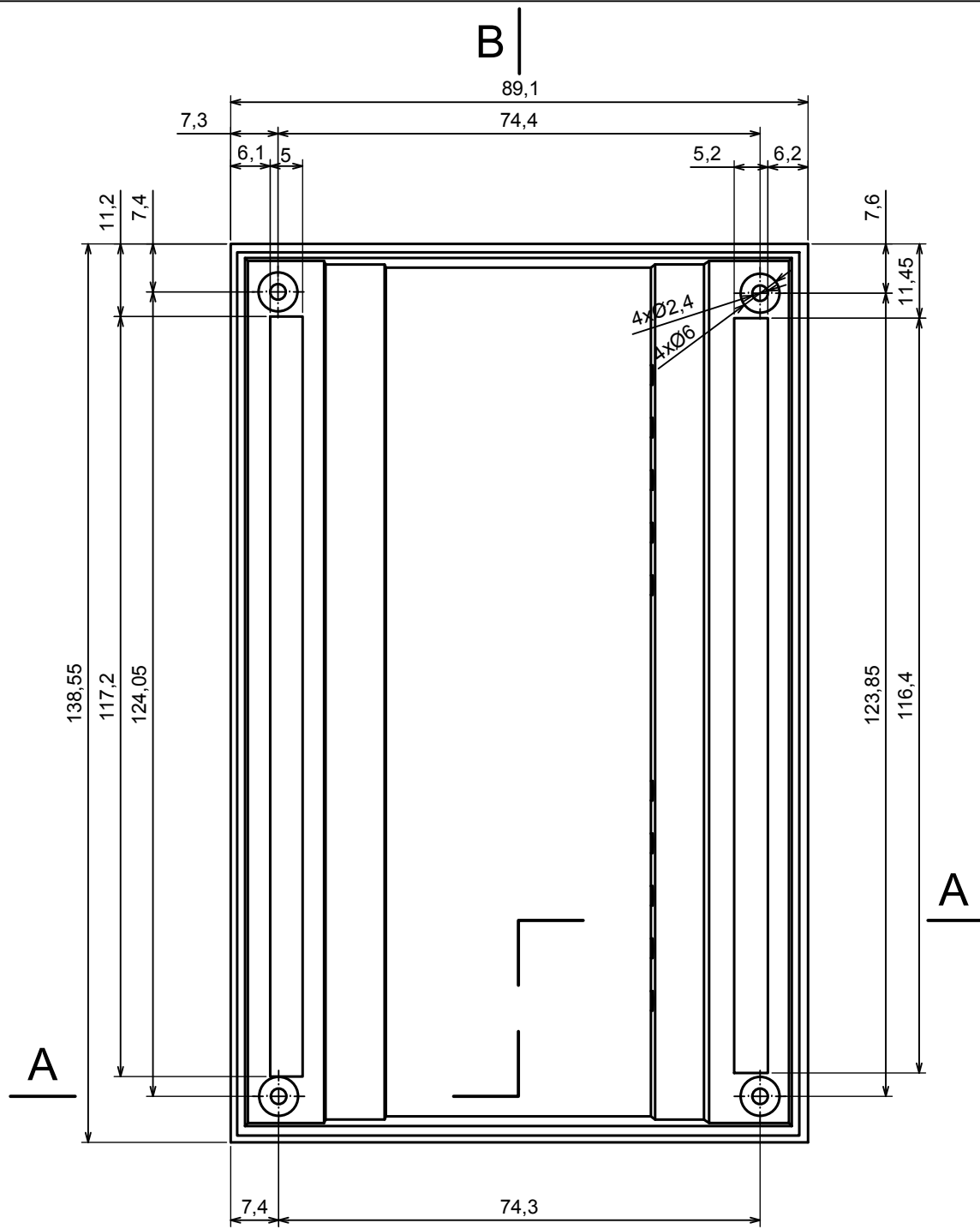


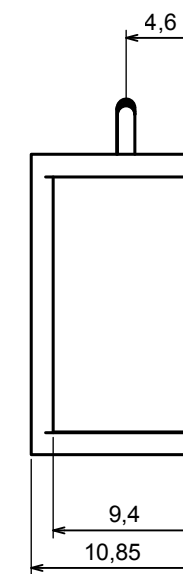
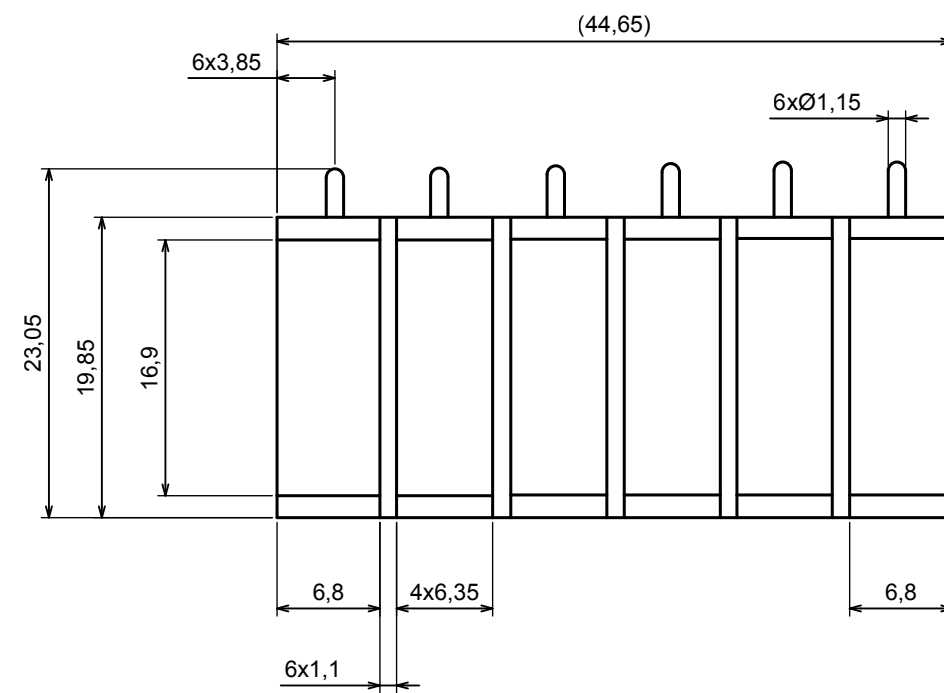
Product model		Enclosure MG8 - base	
Format: A3	Material: PS, ABS		
Scale 1:1	Tolerance: +/- 0.8		



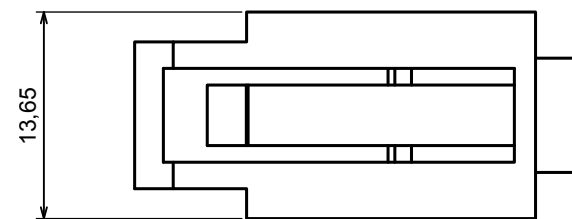
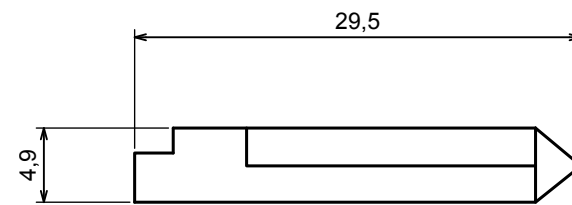
Product model	Enclosure MG8 - base	
Format: A3	Material: PS, ABS	
Scale 1:1	Tolerance: +/- 0.8	



Product model	Enclosure MG8 - base	
Format: A3	Material: PS, ABS	
Scale 1:1	Tolerance: +/- 0.8	



Product model		Enclosure MG8 - base	
Format: A3	Material: PS, ABS		
Scale 2:1	Tolerance: +/- 0.8		



Product model		Enclosure MG8 - base	
Format: A3	Material: PS, ABS		
Scale 2:1	Tolerance: +/- 0.5		